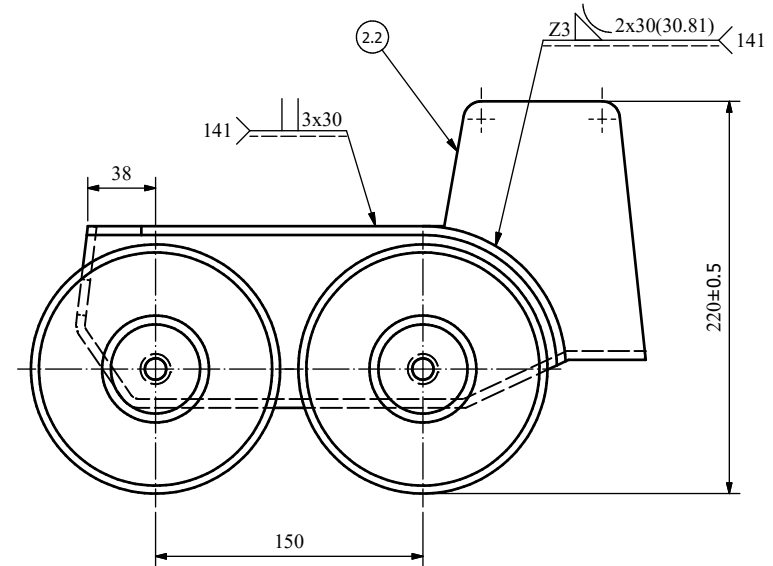
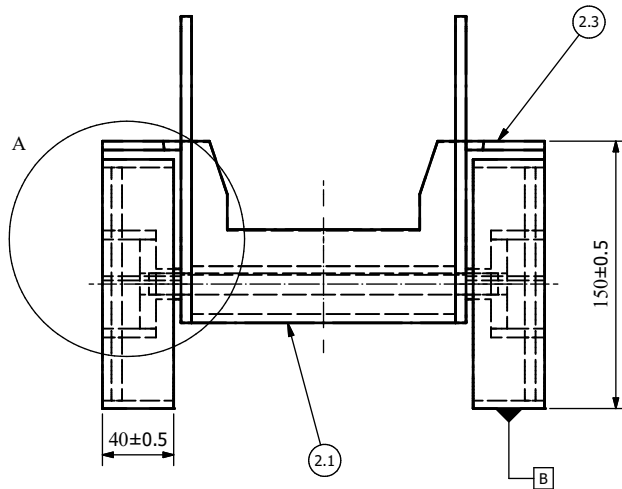
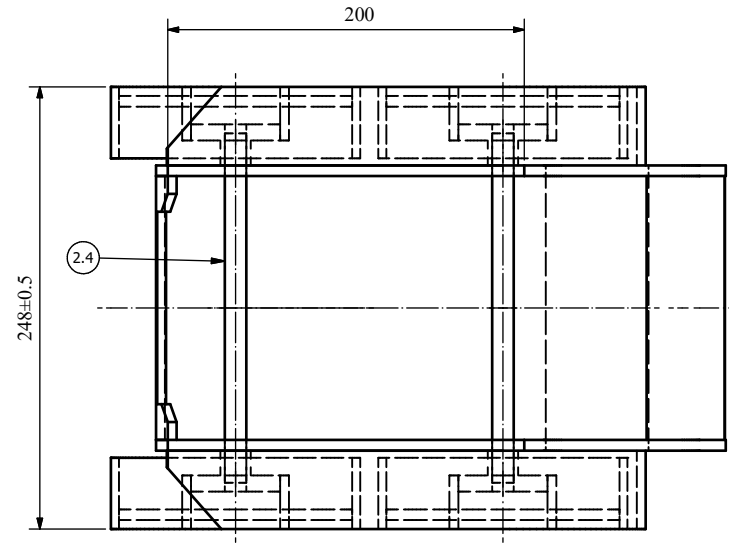
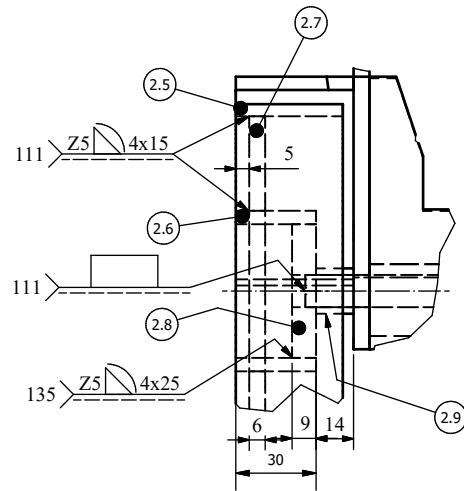


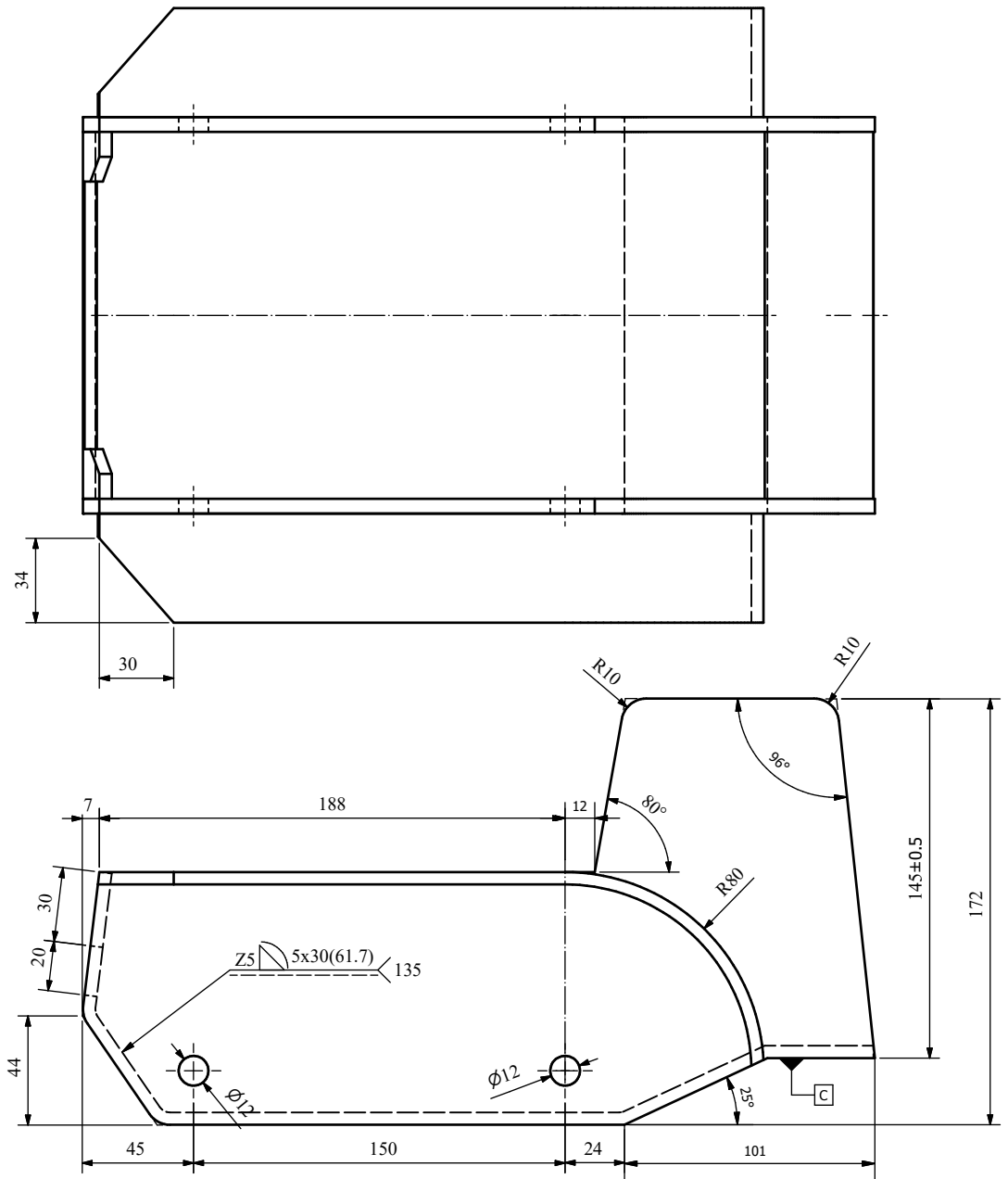
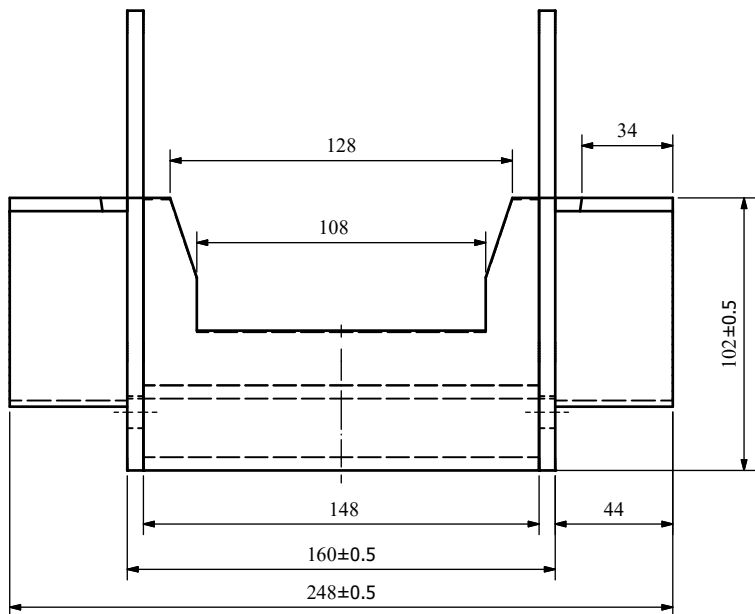



2.9	Ø17.2mm Carbon Steel Pipe	4	M/S
2.8	Concentric Circles 9mm Plate	4	M/S
2.7	Concentric Circles 5mm Plate	4	M/S
2.6	Ø60.3mm Carbon Steel Pipe	4	M/S
2.5	Ø139.8mm Carbon Steel Pipe	4	M/S
2.4	Ø12mm Bright Round Bar	2	M/S
2.3	Weel Arches 5mm Plate	2	M/S
2.2	Cabin Side 6mm Plate	2	M/S
2.1	Cabin base 5mm Plate	1	M/S
ITEM	DESCRIPTION	QTY	MAT'L

Section A (1 : 2)



 2024 TAIPEI CAPITAL CUP WORLDSKILLS COMPETITION				
Scale	Skill	Description	Drawing No	Projection
1:3(1:2)	Construction Metal Work	Modul One	1 of 2	



 2024 TAIPEI CAPITAL CUP WORLDSKILLS COMPETITION				
Scale	Skill	Description	Drawing No	Projection
1 : 2	Construction Metal Work	Modul One	2 of 2	